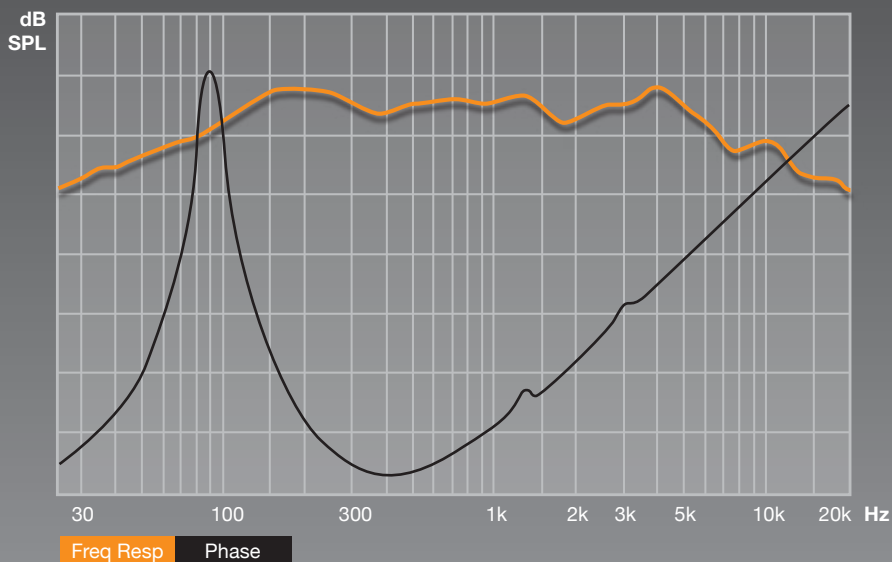


CADENCE

CVL
EURO SERIES

CVL-64MB



6.5 in

TS PARAMETERS

REVC: 3 Ohm	CMS: 8.260 mm/D
FO: 48.031 Hz	MMD: 12.441m Kg
SD: 13.000 m M	MMS: 13.293g
KRM: 412.821u Ohm	BL: 6.939 T
ERM: 0.913	QMS: 4.643
KXM: 17.300m H	QES: 0.250
EXM: 0.600	QTS: 0.237
VAS: 200.014m Ft	NO: 0.850%

4 Ohm 200 Watts

SPECIFICATIONS

Application: Mid - Base

Basket Type: Cast Aluminum

Dust Cap: Plastic

Surround Style: Butyl Rubber

Structure Weight: 60 oz.

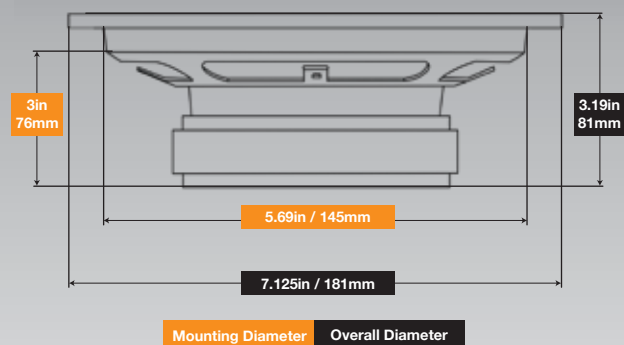
2" High Power Voice Coil

Impedance: 4 Ohm

RMS / Peak Watts: 100 / 200

Frequency Response: 135Hz - 10.5KHz

SPL @ 1w/1m: 98dB



Cadence Acoustics

6519 Highway 9 North • Howell, NJ 07731
800.477.2328 • 732.370.5400 • fax: 732.370.5553 • www.cadencesound.com

