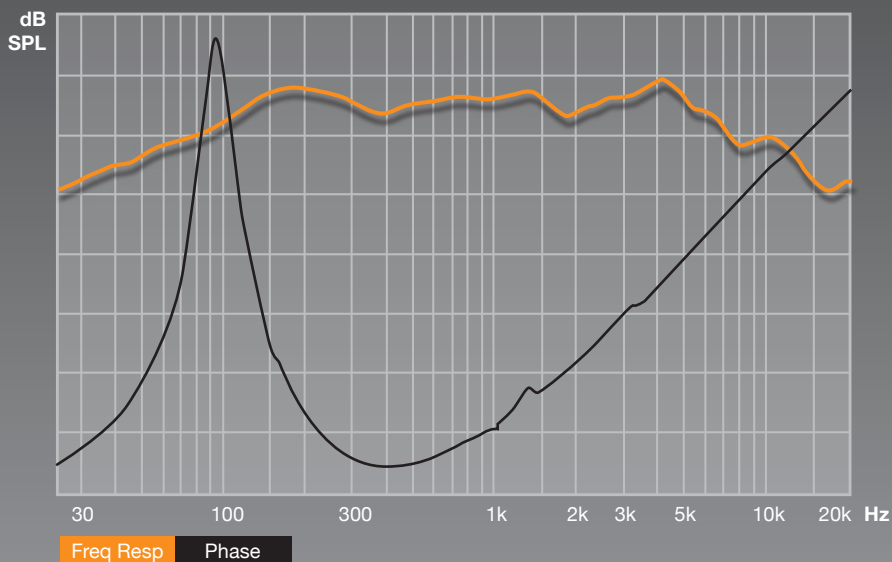


# CADENCE

**CVL**  
EURO SERIES

**CVL-68MB**



**6.5 in**

## TS PARAMETERS

REVC: 6 Ohm	CMS: 6.253 mm/D
FO: 53.838 Hz	MMD: 13.123m Kg
SD: 13.000 m M	MMS: 13.975g
KRM: 165.421u Ohm	BL: 8.264 T
ERM: 1.021	QMS: 6.729
KXM: 18.329m H	QES: 0.415
EXM: 0.632	QTS: 0.391
VAS: 529.950m Ft	NO: 0.545%

**8 Ohm**  
**200 Watts**

## SPECIFICATIONS

**Application:** Mid - Base

**Basket Type:** Cast Aluminum

**Dust Cap:** Plastic

**Surround Style:** Butyl Rubber

**Structure Weight:** 60 oz.

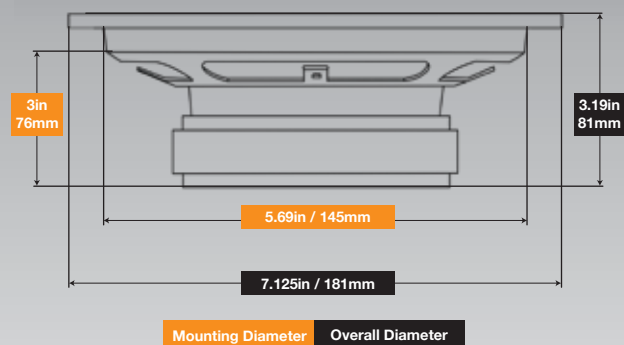
**2" High Power Voice Coil**

**Impedance:** 8 Ohm

**RMS / Peak Watts:** 100 / 200

**Frequency Response:** 135Hz - 10.5KHz

**SPL @ 1w/1m:** 98dB



### Cadence Acoustics

6519 Highway 9 North • Howell, NJ 07731  
800.477.2328 • 732.370.5400 • fax: 732.370.5553 • www.cadencesound.com

