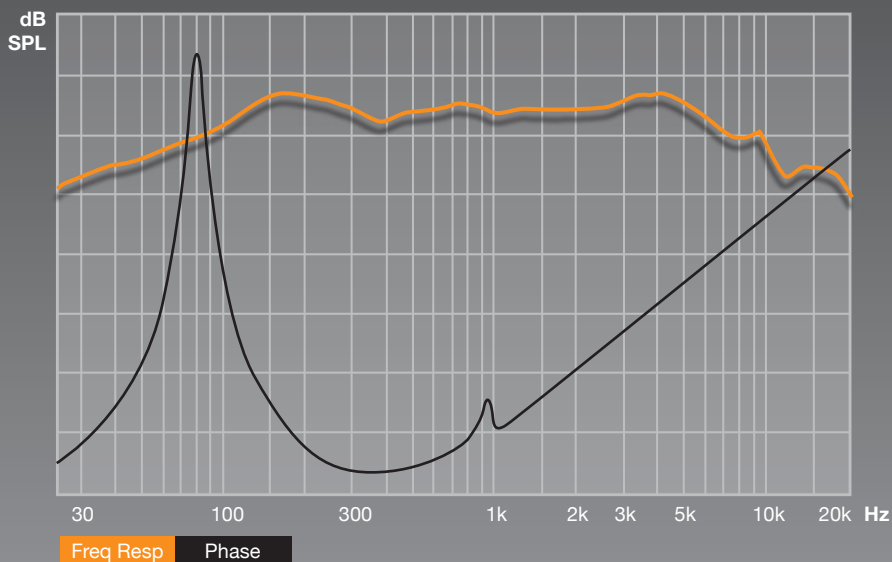


CADENCE

CVL
EURO SERIES

CVL-84MB



8 in

TS PARAMETERS

REVC: 3 Ohm
FO: 43.725 Hz
SD: 21.350 m M
KRM: 402.474u Ohm
ERM: 0.908
KXM: 12.855m H
EXM: 0.621
VAS: 1.395m Ft

CMS: 6.105 mm/D
MMD: 19.908m Kg
MMS: 21.702g
BL: 7.222 T
QMS: 10.049
QES: 0.343
QTS: 0.332
NO: 0.931%

4 Ohm
300 Watts

SPECIFICATIONS

Application: Mid - Base

Basket Type: Cast Aluminum

Dust Cap: Plastic

Surround Style: Butyl Rubber

Structure Weight: 80 oz.

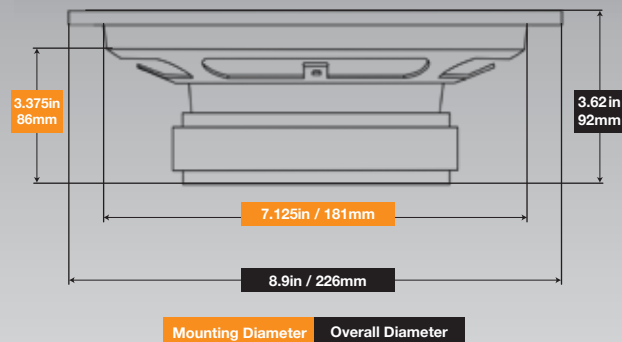
1.5" High Power Voice Coil

Impedance: 4 Ohm

RMS / Peak Watts: 150 / 300

Frequency Response: 102Hz - 10KHz

SPL @ 1w/1m: 100dB



Cadence Acoustics

6519 Highway 9 North • Howell, NJ 07731
800.477.2328 • 732.370.5400 • fax: 732.370.5553 • www.cadencesound.com

