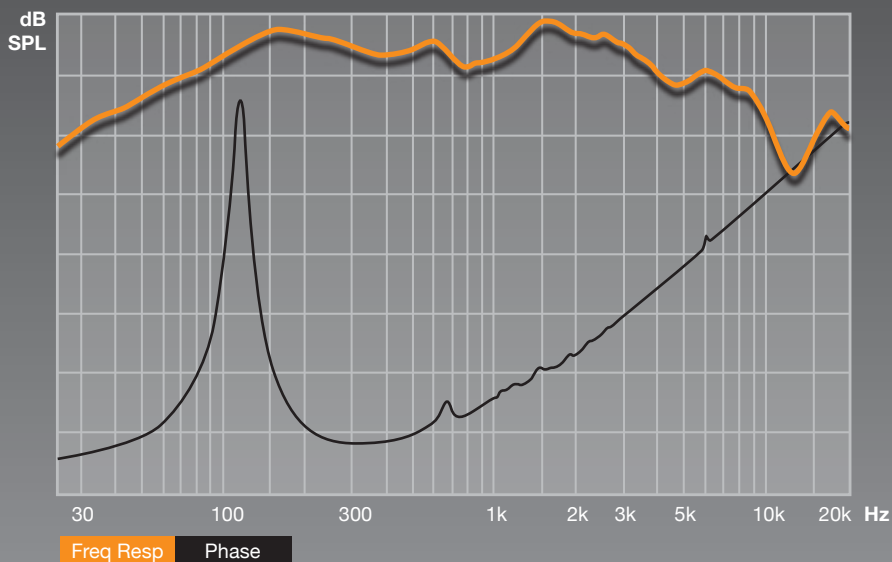


CADENCE

CVL
EURO SERIES

CVLM-1058



10 in

TS PARAMETERS

REVC: 7.000 Ohm	CMS: 199.441 mm/D
FO: 67.212 Hz	MMD: 24.349m Kg
SD: 35.000 m M	MMS: 28.114g
KRM: 1.255u Ohm	BL: 10.453 T
ERM: 0.875	QMS: 10.138
KXM: 23.455m H	QES: 0.761
EXM: 0.637	QTS: 0.708
VAS: 1.225m Ft	NO: 1.339%

8 Ohm 300 Watts

SPECIFICATIONS

Application: Mid - High

Basket Type: Open Steel

Dust Cap: Convex

Surround Style: Accordion

Structure Weight: 50 oz.

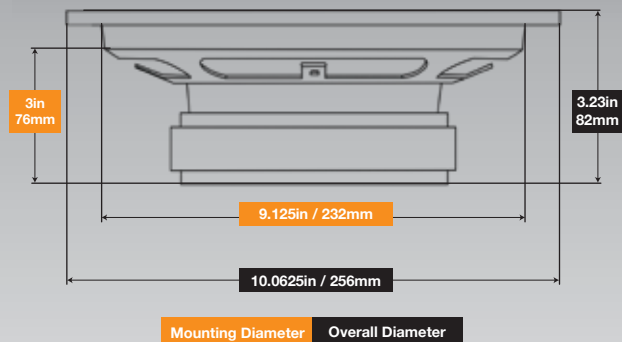
1.5" High Power Voice Coil

Impedance: 8 Ohm

RMS / Peak Watts: 150 / 300

Frequency Response: 60Hz - 4KHz

SPL @ 1w/1m: 100dB



Cadence Acoustics

6519 Highway 9 North • Howell, NJ 07731
800.477.2328 • 732.370.5400 • fax: 732.370.5553 • www.cadencesound.com

