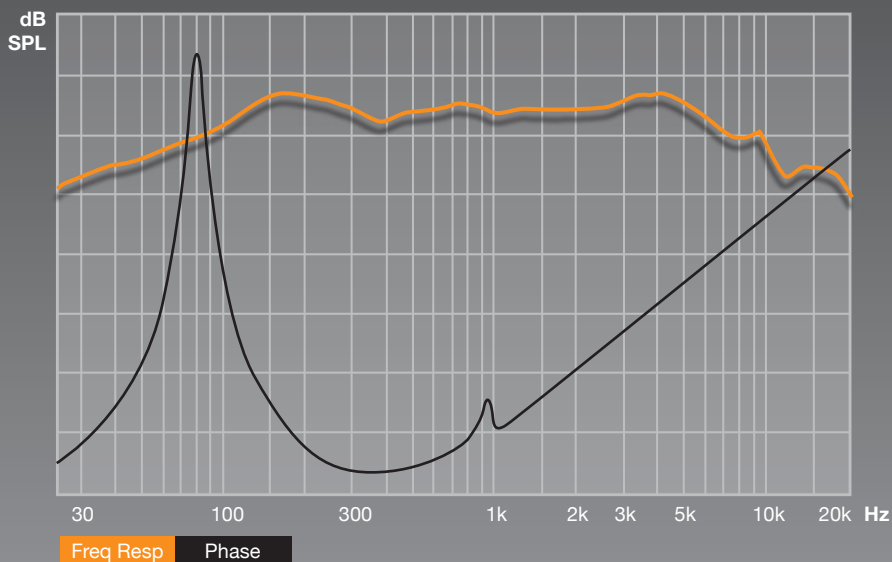


CADENCE

CVL
EURO SERIES

CVLM-64



6 in



TS PARAMETERS

REVC: 2.900 Ohm	CMS: 94.311 mm/D
FO: 161.411 Hz	MMD: 9.466m Kg
SD: 12.900 m M	MMS: 10.309g
KRM: 596.313u Ohm	BL: 5.330 T
ERM: 0.860	QMS: 8.883
KXM: 11.747m H	QES: 1.067
EXM: 0.611	QTS: 0.953
VAS: 78.702m Ft	NO: 0.849%

4 Ohm 140 Watts

SPECIFICATIONS

Application: Mid - High

Basket Type: Open Steel

Dust Cap: Bullet

Surround Style: Accordion

Structure Weight: 40 oz.

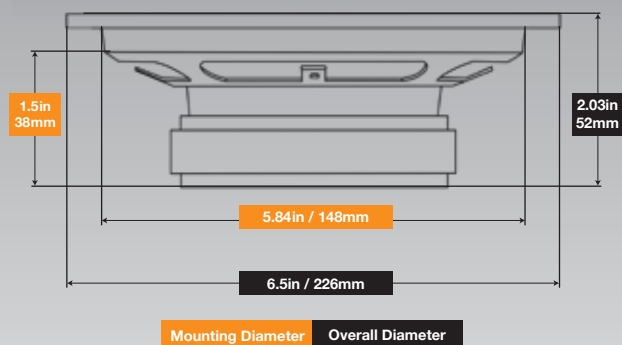
1.5" High Power Voice Coil

Impedance: 4 Ohm

RMS / Peak Watts: 70 / 140

Frequency Response: 100Hz - 7KHz

SPL @ 1w/1m: 98dB



Cadence Acoustics

6519 Highway 9 North • Howell, NJ 07731
800.477.2328 • 732.370.5400 • fax: 732.370.5553 • www.cadencesound.com

