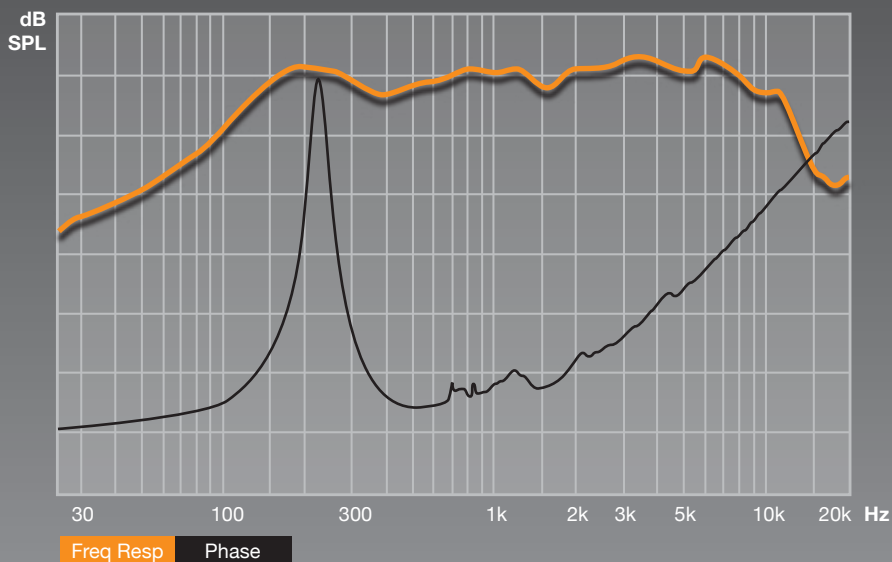


# CADENCE

**CVL**  
EURO SERIES

**CVLM-64N**



## 6 in

### TS PARAMETERS

<b>REVC:</b> 2.800 Ohm	<b>CMS:</b> 107.473 mm/D
<b>FO:</b> 154.270 Hz	<b>MMD:</b> 9.080m Kg
<b>SD:</b> 12.700 m M	<b>MMS:</b> 9.903g
<b>KRM:</b> 427.654u Ohm	<b>BL:</b> 5.421 T
<b>ERM:</b> 0.827	<b>QMS:</b> 6.429
<b>KXM:</b> 4.643m H	<b>QES:</b> 0.914
<b>EXM:</b> 0.634	<b>QTS:</b> 0.801
<b>VAS:</b> 86.926m Ft	<b>NO:</b> 0.956%

## 4 Ohm 200 Watts

### SPECIFICATIONS

**Application:** Neo - Mid - High

**Basket Type:** Graphite Acrylic

**Dust Cap:** Convex

**Surround Style:** Accordion

**Structure Weight:** 20 oz.

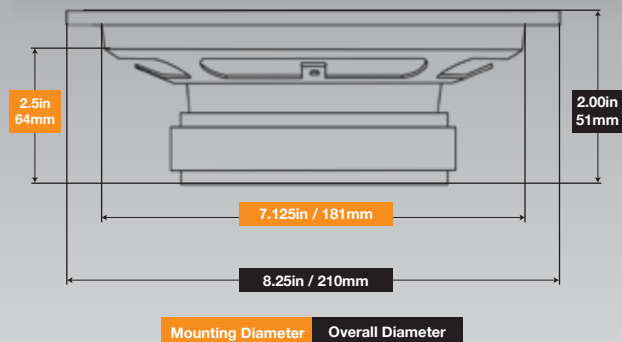
**1.5" High Power Voice Coil**

**Impedance:** 4 Ohm

**RMS / Peak Watts:** 100 / 200

**Frequency Response:** 105Hz - 7KHz

**SPL @ 1w/1m:** 93dB



### Cadence Acoustics

6519 Highway 9 North • Howell, NJ 07731  
800.477.2328 • 732.370.5400 • fax: 732.370.5553 • www.cadencesound.com

