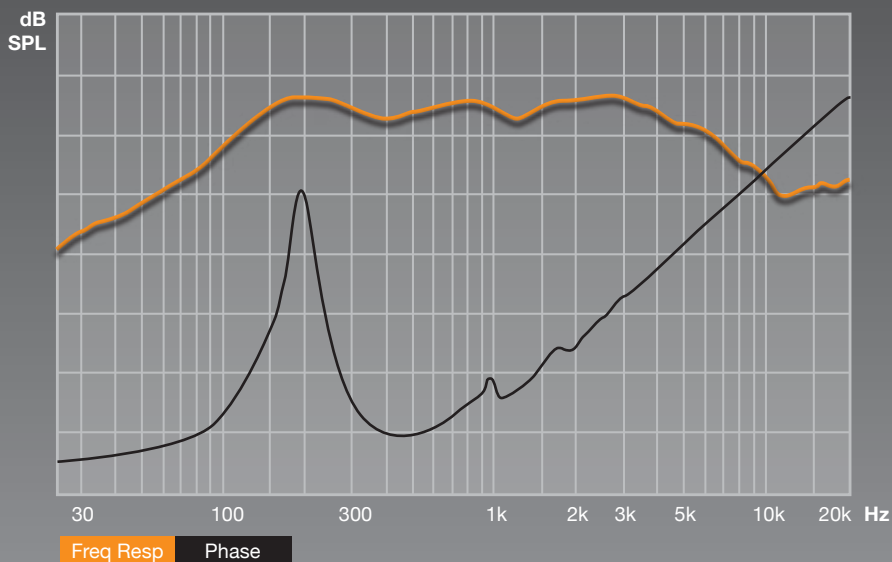


# CADENCE

**CVL**  
EURO SERIES

**CVLM-84**



## 8 in

### TS PARAMETERS

<b>REVC:</b> 2.960 Ohm	<b>CMS:</b> 91.804 mm/D
<b>FO:</b> 130.853 Hz	<b>MMD:</b> 14.317m Kg
<b>SD:</b> 21.380 m M	<b>MMS:</b> 16.114g
<b>KRM:</b> 563.085u Ohm	<b>BL:</b> 7.349 T
<b>ERM:</b> 0.884	<b>QMS:</b> 4.391
<b>KXM:</b> 12.232m H	<b>QES:</b> 0.726
<b>EXM:</b> 0.630	<b>QTS:</b> 0.623
<b>VAS:</b> 210.435m Ft	<b>NO:</b> 1.778%

## 4 Ohm 200 Watts

### SPECIFICATIONS

**Application:** Mid - High

**Basket Type:** Open Steel

**Dust Cap:** Bullet

**Surround Style:** Accordion

**Structure Weight:** 40 oz.

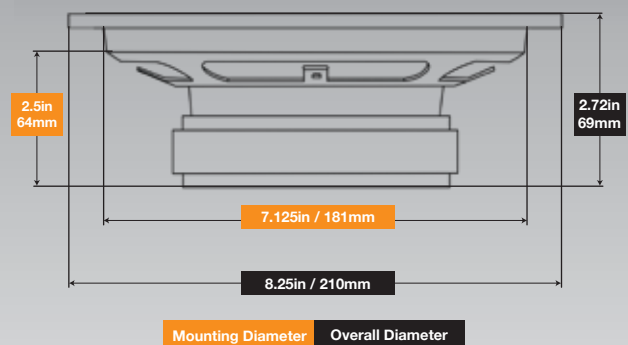
**1.5" High Power Voice Coil**

**Impedance:** 4 Ohm

**RMS / Peak Watts:** 100 / 200

**Frequency Response:** 102Hz - 10KHz

**SPL @ 1w/1m:** 100dB



### Cadence Acoustics

6519 Highway 9 North • Howell, NJ 07731  
800.477.2328 • 732.370.5400 • fax: 732.370.5553 • www.cadencesound.com

