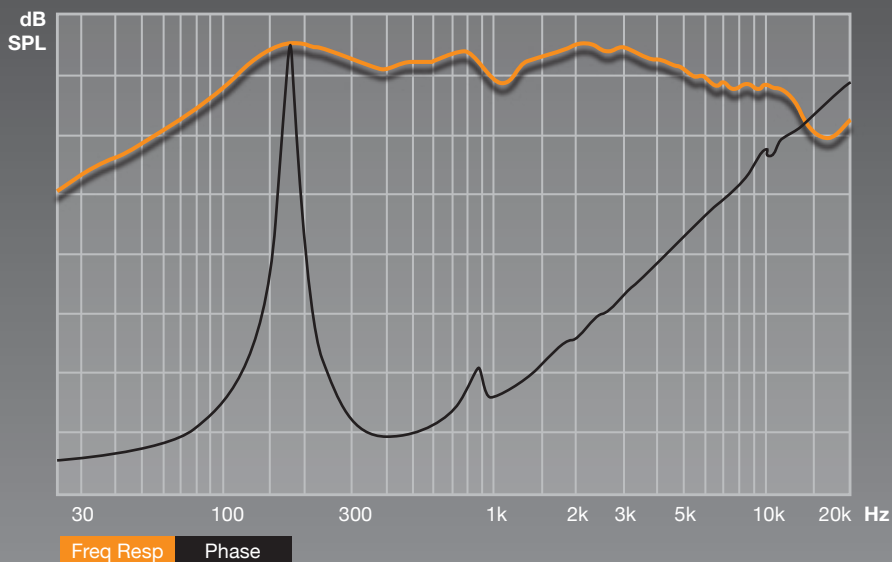


CADENCE

CVL
EURO SERIES

CVLM-88



TS PARAMETERS

REVC: 5.400 Ohm **CMS:** 118.742 mm/D
FO: 113.210 Hz **MMD:** 14.847m Kg
SD: 21.380 m M **MMS:** 16.644g
KRM: 1.320u Ohm **BL:** 9.022 T
ERM: 0.849 **QMS:** 10.140
KXM: 24.620m H **QES:** 0.785
EXM: 0.603 **QTS:** 0.729
VAS: 272.185m Ft **NO:** 1.377%

8 Ohm 200 Watts

SPECIFICATIONS

Application: Mid - High

Basket Type: Open Steel

Dust Cap: Bullet

Surround Style: Accordion

Structure Weight: 40 oz.

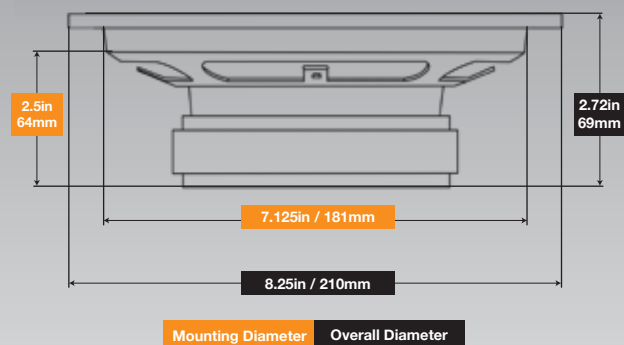
1.5" High Power Voice Coil

Impedance: 8 Ohm

RMS / Peak Watts: 100 / 200

Frequency Response: 102Hz - 10KHz

SPL @ 1w/1m: 100dB



Cadence Acoustics

6519 Highway 9 North • Howell, NJ 07731
800.477.2328 • 732.370.5400 • fax: 732.370.5553 • www.cadencesound.com

