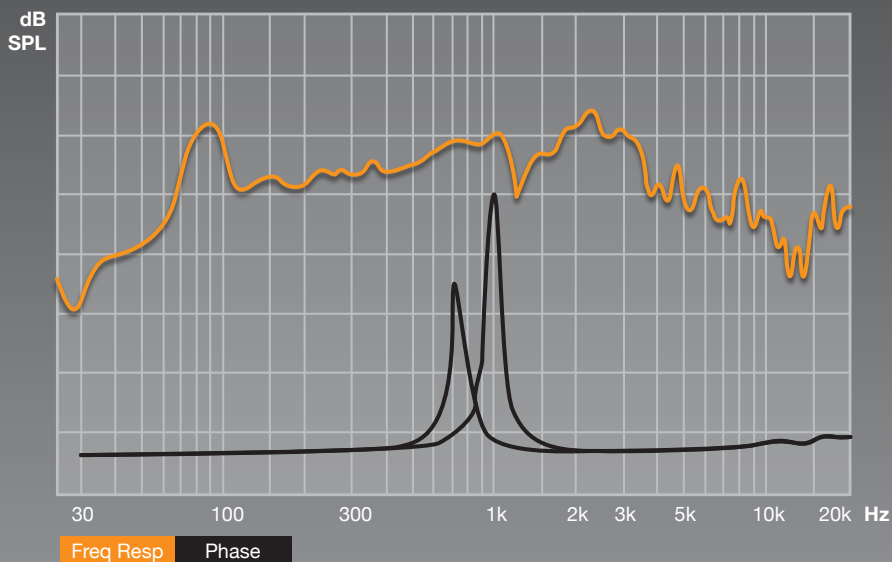


CADENCE

Flash
SERIES

FX 8M8



8 in

TS PARAMETERS

FMS: 98.9 Hz	BL: 6.6
QMS: 12.04	SPL: 102 dB
QES: 1.18	VAS: 13.6 l
QTS: 1.07	RE: 6.8 Ohm
RES: 6.4 Ohm	RP: 40.1 Ohm
RMS: 0.6 kg/s	LP: 10.1 mH
CMS: 0.21 mm/N	CP: 467.9 uF
MMS: 12.2 gr	LE: 0.4 mH
NREF: 1.08 %	

8 Ohm 250 Watts

SPECIFICATIONS

Application: Mid - High

Basket Type: Open Basket

Dust Cap: Bullet

Surround Style: Accordion

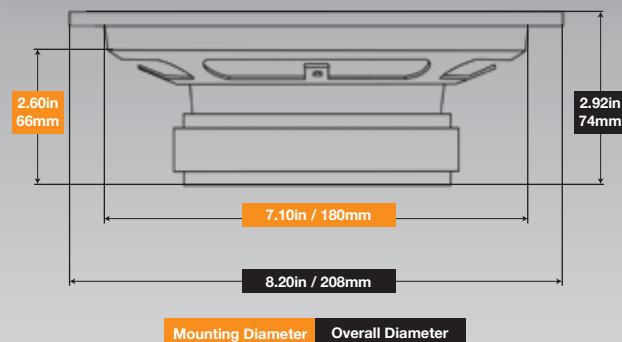
Structure Weight: 90 oz.

Impedance: 8 Ohm

RMS / Peak Watts: 125 / 250

Frequency Response: 100Hz - 11KHz

SPL @ 1w/1m: 102dB



Cadence Acoustics

6519 Highway 9 North • Howell, NJ 07731
800.477.2328 • 732.370.5400 • fax: 732.370.5553 • www.cadencesound.com

