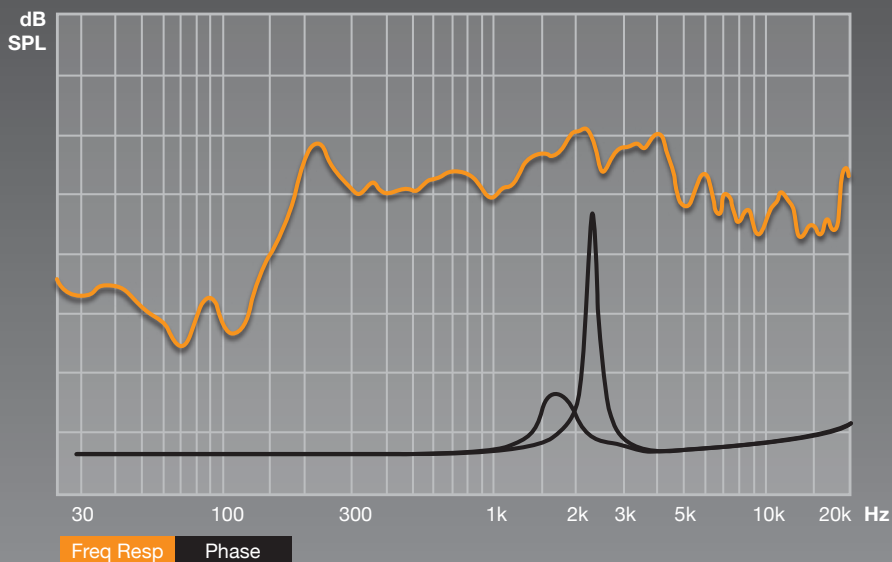


CADENCE

XENITH XM 64HC



TS PARAMETERS

FMS: 231.5 Hz BL: 4.5
QMS: 10.62 SPL: 102 dB
QES: 1.71 VAS: 1.6 l
QTS: 1.47 RE: 3.4 Ohm
RES: 6.1 Ohm RP: 5.3 Ohm
RMS: 1.0 kg/s LP: 1.4 mH
CMS: 0.07 mm/N CP: 587.9 uF
MMS: 7.1 gr LE: 0.2 mH
NREF: 1.15 %

4 Ohm 150 Watts

SPECIFICATIONS

Application: High Compression

Basket Type: Open Basket

Dust Cap: Bullet

Surround Style: Flat Foam

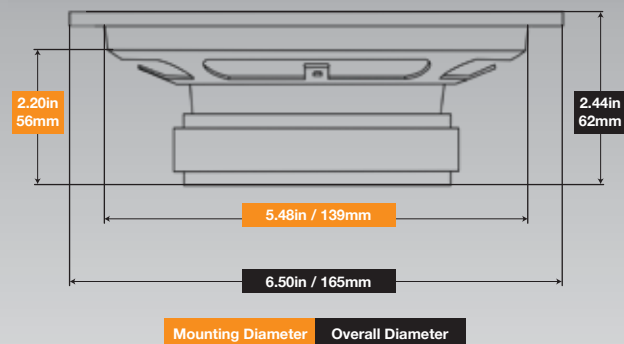
Structure Weight: 60 oz.

Impedance: 4 Ohm

RMS / Peak Watts: 75 / 150

Frequency Response: 150Hz - 15KHz

SPL @ 1w/1m: 102dB



Cadence Acoustics

6519 Highway 9 North • Howell, NJ 07731
800.477.2328 • 732.370.5400 • fax: 732.370.5553 • www.cadencesound.com

