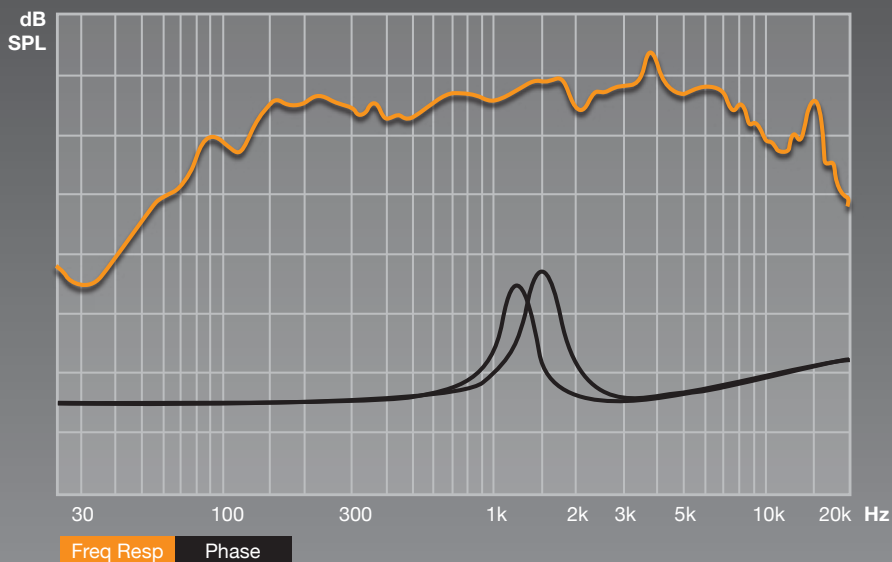


CADENCE

XENITH XM 698



6x9in



TS PARAMETERS

FMS: 160.2 Hz BL: 8.3
QMS: 3.23 SPL: 102 dB
QES: 1.75 VAS: 3.8 l
QTS: 1.13 RE: 6.8 Ohm
RES: 11.1 Ohm RP: 10.5 Ohm
RMS: 6.0 kg/s LP: 3.7 mH
CMS: 0.05 mm/N CP: 403.2 uF
MMS: 19.3 gr LE: 0.4 mH
NREF: 0.86 %

8 Ohm 250 Watts

SPECIFICATIONS

Application: Mid - High

Basket Type: Open Basket

Dust Cap: Bullet

Surround Style: Accordion

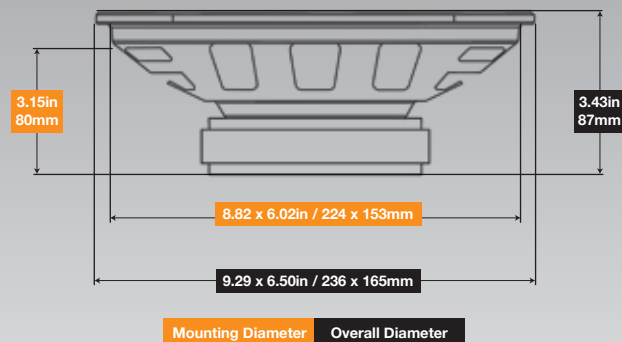
Structure Weight: 90 oz.

Impedance: 8 Ohm

RMS / Peak Watts: 125 / 250

Frequency Response: 100Hz - 11KHz

SPL @ 1w/1m: 102dB



Cadence Acoustics

6519 Highway 9 North • Howell, NJ 07731
800.477.2328 • 732.370.5400 • fax: 732.370.5553 • www.cadencesound.com

