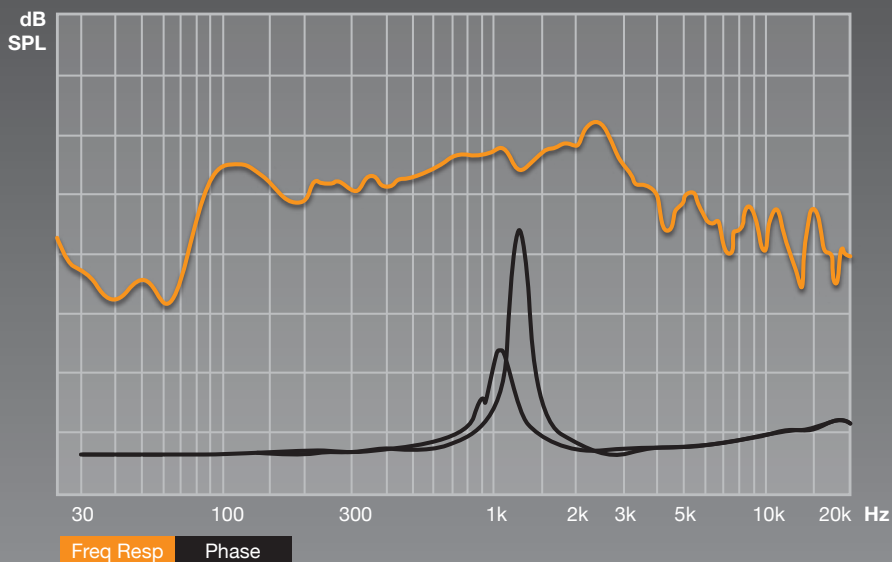


CADENCE

xenITH XM 84HC



8 in

TS PARAMETERS

FMS: 123.9 Hz **BL:** 7.5
QMS: 7.62 **SPL:** 103 dB
QES: 1.29 **VAS:** 3.8 l
QTS: 1.10 **RE:** 3.4 Ohm
RES: 16.7 Ohm **RP:** 11.7 Ohm
RMS: 2.8 kg/s **LP:** 3.4 mH
CMS: 0.06 mm/N **CP:** 652.4 uF
MMS: 27.6 gr **LE:** 0.3 mH
NREF: 0.54 %

4 Ohm 250 Watts

SPECIFICATIONS

Application: High Compression

Basket Type: Open Basket

Dust Cap: Bullet

Surround Style: Flat Foam

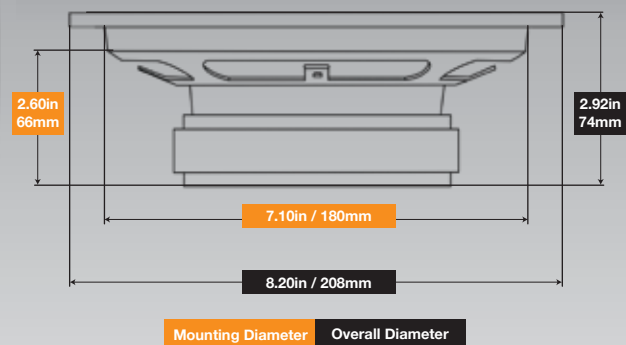
Structure Weight: 60 oz.

Impedance: 4 Ohm

RMS / Peak Watts: 125 / 250

Frequency Response: 110Hz - 17KHz

SPL @ 1w/1m: 103dB



Cadence Acoustics

6519 Highway 9 North • Howell, NJ 07731
800.477.2328 • 732.370.5400 • fax: 732.370.5553 • www.cadencesound.com

