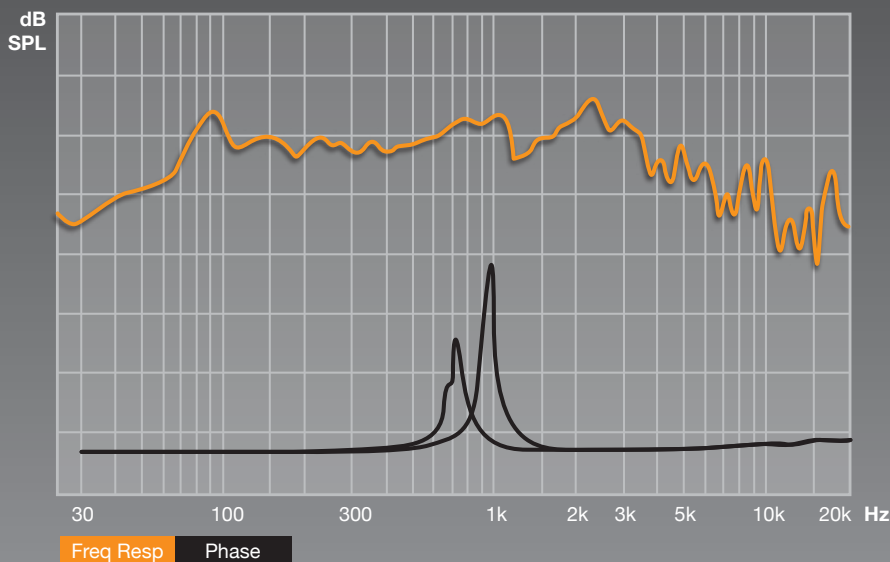


# CADENCE

## XENITH XM 84V



### TS PARAMETERS

**FMS:** 95.5 Hz      **BL:** 5.3  
**QMS:** 12.00      **SPL:** 102 dB  
**QES:** 0.96      **VAS:** 13.5 l  
**QTS:** 0.89      **RE:** 3.4 Ohm  
**RES:** 8.3 Ohm      **RP:** 25.4 Ohm  
**RMS:** 0.7 kg/s      **LP:** 6.0 mH  
**CMS:** 0.21 mm/N      **CP:** 818.7 uF  
**MMS:** 13.2 gr      **LE:** 0.3 mH  
**NREF:** 1.18 %

# 4 Ohm 250 Watts

### SPECIFICATIONS

**Application:** Mid - High

**Basket Type:** Open Basket

**Dust Cap:** Bullet

**Surround Style:** Accordion

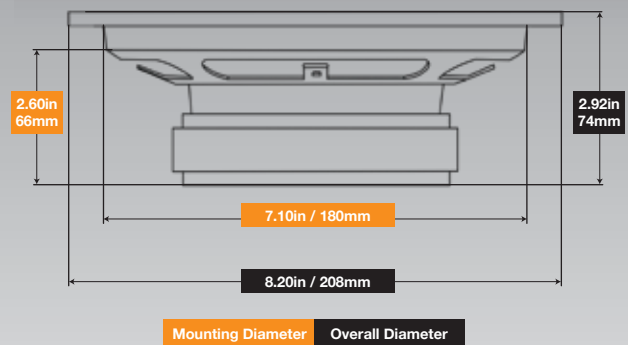
**Structure Weight:** 90 oz.

**Impedance:** 4 Ohm

**RMS / Peak Watts:** 125 / 250

**Frequency Response:** 100Hz - 11KHz

**SPL @ 1w/1m:** 102dB



### Cadence Acoustics

6519 Highway 9 North • Howell, NJ 07731  
800.477.2328 • 732.370.5400 • fax: 732.370.5553 • www.cadencesound.com

