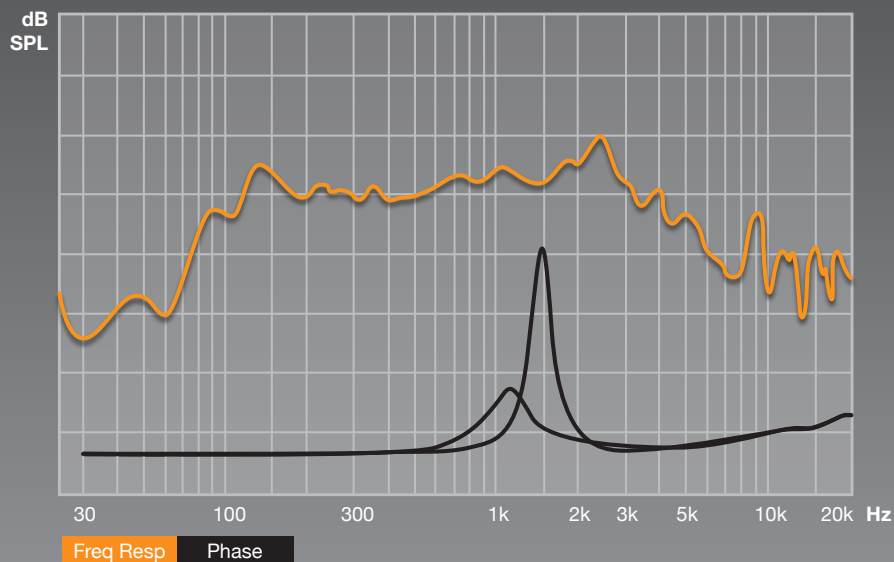


# CADENCE

## XENITH XM 88HC



### TS PARAMETERS

**FMS:** 148.4 Hz      **BL:** 7.7  
**QMS:** 6.40        **SPL:** 103 dB  
**QES:** 1.53        **VAS:** 5.1 l  
**QTS:** 1.24        **RE:** 6.8 Ohm  
**RES:** 8.7 Ohm    **RP:** 10.2 Ohm  
**RMS:** 2.1 kg/s    **LP:** 5.3 mH  
**CMS:** 0.08 mm/N **CP:** 369.3 uF  
**MMS:** 14.4 gr    **LE:** 0.5 mH  
**NREF:** 1.05 %

# 8 Ohm 250 Watts

### SPECIFICATIONS

**Application:** High Compression

**Basket Type:** Open Basket

**Dust Cap:** Bullet

**Surround Style:** Flat Foam

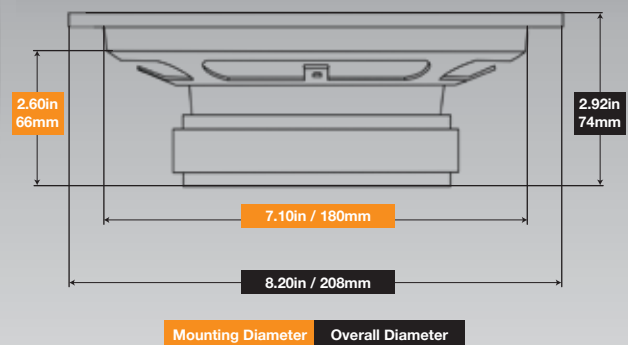
**Structure Weight:** 60 oz.

**Impedance:** 8 Ohm

**RMS / Peak Watts:** 125 / 250

**Frequency Response:** 110Hz - 17KHz

**SPL @ 1w/1m:** 103dB



### Cadence Acoustics

6519 Highway 9 North • Howell, NJ 07731  
800.477.2328 • 732.370.5400 • fax: 732.370.5553 • www.cadencesound.com

