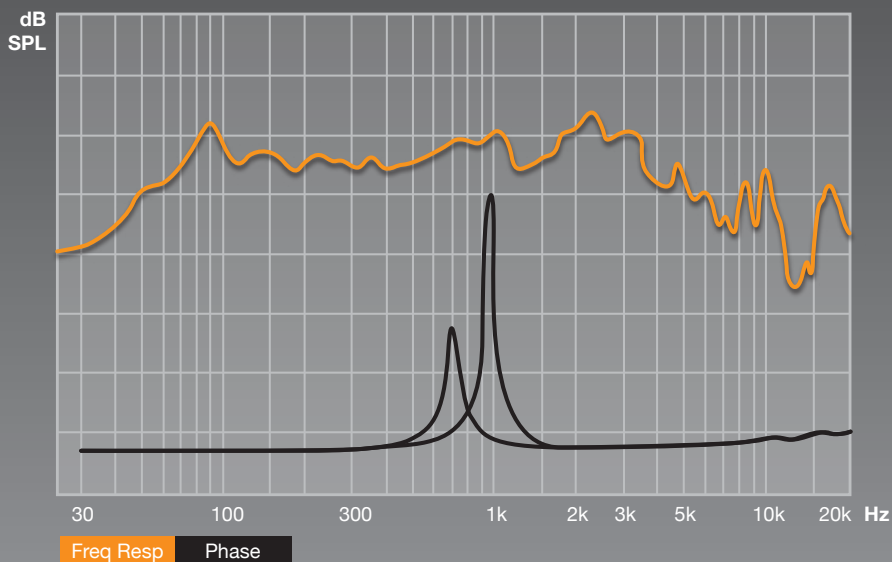


# CADENCE

## Xenith XM 88V



### TS PARAMETERS

**FMS:** 95.5 Hz      **BL:** 7.7  
**QMS:** 12.88      **SPL:** 102 dB  
**QES:** 1.29      **VAS:** 5.1 l  
**QTS:** 1.17      **RE:** 6.8 Ohm  
**RES:** 8.7 Ohm      **RP:** 10.2 Ohm  
**RMS:** 2.1 kg/s      **LP:** 5.3 mH  
**CMS:** 0.08 mm/N      **CP:** 369.3 uF  
**MMS:** 14.4 gr      **LE:** 0.5 mH  
**NREF:** 1.05 %

## 8 Ohm 250 Watts

### SPECIFICATIONS

**Application:** Mid - High

**Basket Type:** Open Basket

**Dust Cap:** Bullet

**Surround Style:** Accordion

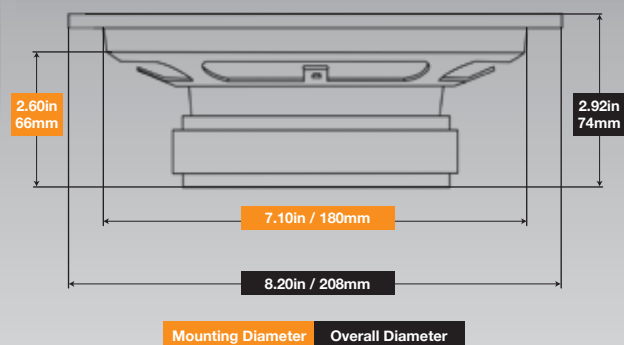
**Structure Weight:** 90 oz.

**Impedance:** 8 Ohm

**RMS / Peak Watts:** 125 / 250

**Frequency Response:** 100Hz - 11KHz

**SPL @ 1w/1m:** 102dB



### Cadence Acoustics

6519 Highway 9 North • Howell, NJ 07731  
800.477.2328 • 732.370.5400 • fax: 732.370.5553 • www.cadencesound.com

